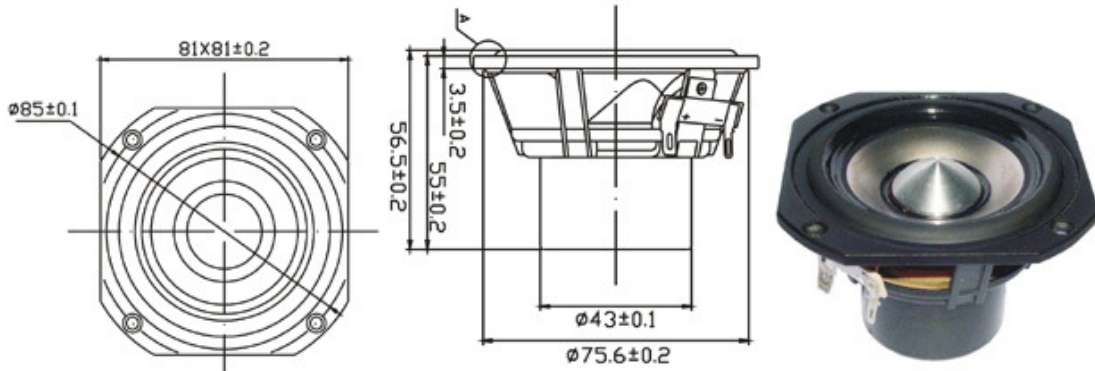


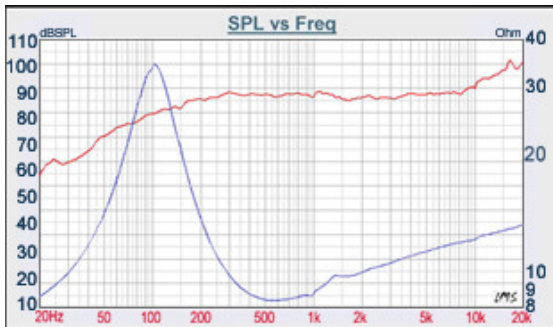
F SERIES

W3-1285SG



- FULL RANGE FREQUENCY RESPONSE
- HIGH POWER LOADING DESIGN
- DIE CAST BASKET, VC VENTED DESIGN
- TITANIUM CONE WITH SANTOPRENE SURROUND
- MAGNETICALLY SHIELDED
- NEODYMIUM UNDERHUNG MOTOR DESIGN
- LOW 2nd,3rd DISTORTION DESIGN

3" TI FULL RANGE



DIAPHRAGM MTL	Titanium
SURROUND MTL	Santoprene
NOMINAL IMPEDANCE	8 Ω
DCR IMPEDANCE	6.6 Ω
SENSITIVITY 1W/1m	87 dB
FREQUENCY RESPONSE	100-20K Hz
FREE AIR RESONANCE	100 Hz
VOICE COIL DIAMETER	25.4 mm
AIR GAP HEIGHT	8 mm
RATED POWER INPUT	15 W
MAXIMUM POWER INPUT	30 W
FORCE FACTOR, BL	5.03 TM
MAGNET WEIGHT (oz)	Neodymium
MOVING MASS	2.49 g
FERRO FLUID ENHANCED	No
SUSPENSION COMPL.	971.647 MN ⁻¹
EFFEC.PISTON AREA	0.0032 M ²
Levc	0.011mH
Zo	34 ohm
X-max	0.4 mm
Vas	1.413 Litr.
Qts	0.34
Qms	1.78
Qes	0.42



VOICE:886.2.26570282 FAX:886.2.26580166
E-MAIL :info@tb-speaker.com

CLOSE